

**6LPA-STZP2 Series**

Configuration	4-stroke, vertical, water-cooled diesel engine		
Maximum output at crankshaft	* 232 kW@3800 rpm	[315 mhp@3800 rpm]	
	** 225 kW@3800 rpm	[306 mhp@3800 rpm]	
Displacement	4.164 ltr	[254 cu in]	
Bore x stroke	94 mm x 100 mm	[3.7 in x 3.94 in]	
Cylinders	6 in line, 4-valves per cylinder		
Combustion system	Direct injection		
Aspiration	Turbocharged with intercooler		
Starting system	Electric starting 12V - 2.5 kW		
Alternator	12V - 80A		
Cooling system	Fresh water cooling by centrifugal fresh water pump and rubber impeller seawater pump		
Lubrication system	Enclosed, forced lubricating system		
Direction of rotation [crankshaft]	Counterclockwise viewed from flywheel side		
Dry weight without gear	428 kg	[944 lbs]	
Environmental	EU: RCD	BSO II	EMC
	US: EPA Tier2		
	IMO: MARPOL 73/78 Annex VI		
Engine mounting	Rubber type flexible mounting		

NOTE:

Fuel condition: Density at 15°C = 0.84 g/cm<sup>3</sup>; 1 kW = 1.3596 mhp = 1.3410 HP

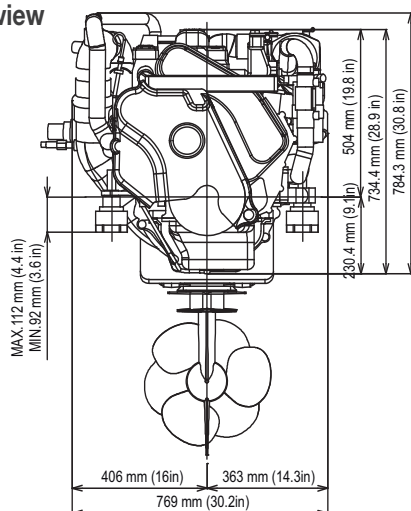
\* Fuel temperature 25°C at the inlet of the fuel injection pump [ISO 3046-1]

\*\* Fuel temperature 40°C at the inlet of the fuel injection pump [ISO 8665: 2006]

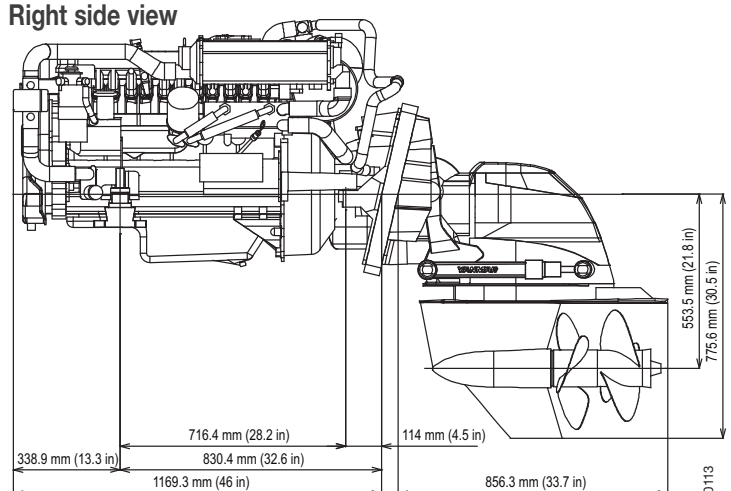
Technical data is according to ISO 8665: 2006/3046-1

DIMENSIONS

Rear view

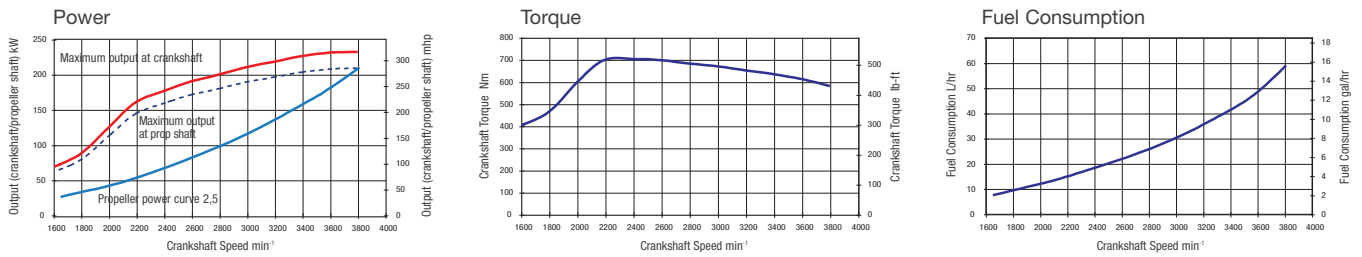


Right side view



6LPA-STZP2 with KM2P-1 marine gear

## PERFORMANCE CURVES

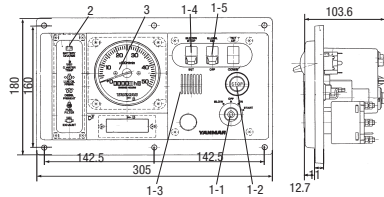


## MARINE GEARS / DRIVE

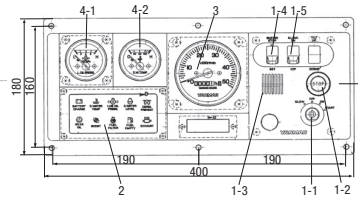
<b>Model</b>	<b>ZT370 [Steerable Z-drive with dual prop]</b>		
<b>Type</b>	Hydraulic Actuated Multi-friction disc clutch		
<b>Dry weight</b>	100 kg		
<b>Reduction ratio [fwd/asn]</b>	1.65/1.65		1.78/1.78
<b>Propeller speed [fwd/asn]</b>	2424/2424		2247/2247
<b>Direction of rotation viewed from the stern</b>	Clockwise [rear prop] & Counterclockwise [front prop]		
<b>Lub oil specifications</b>	API class: GL5 SAE grade #80W90		
<b>Dry weight engine with sterndrive</b>	550 kg [1213 lbs]		
<b>Shift control</b>	Mechanical or Electro-magnetic		
<b>Trim range</b>	-6° -+ 10°		
<b>Trailer limit</b>	51°		

## INSTRUMENT PANELS

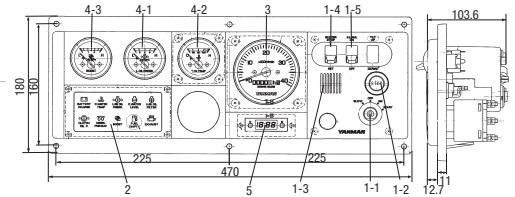
### New B-type Panel



### New C-type Panel



### New D-type Panel



Function	TYPE OF INSTRUMENT PANEL		
	DIGITAL B-TYPE PANEL	DIGITAL B-TYPE PANEL	DIGITAL B-TYPE PANEL
<b>1-Switch unit</b>			
1-1 Key switch for GLOW/OFF/ON/START [4-position switch]	Equipped on panel	Equipped on panel	Equipped on panel
1-2 Engine stop switch	Equipped on panel	Equipped on panel	Equipped on panel
1-3 Alarm buzzer [C.W. Temp., L.O. Pressure]	Equipped on panel	Equipped on panel	Equipped on panel
1-4 Alarm buzzer stop switch	Equipped on panel	Equipped on panel	Equipped on panel
1-5 Illumination switch for meters	Equipped on panel	Equipped on panel	Equipped on panel
<b>2-Alarm lamp unit</b>			
2-1 Battery not charging	Equipped on panel	Equipped on panel	Equipped on panel
2-2 C.W. high temperature	Equipped on panel	Equipped on panel	Equipped on panel
2-3 L.O. low pressure	Equipped on panel	Equipped on panel	Equipped on panel
2-4 F.O. drain separator	Equipped on panel	Equipped on panel	Equipped on panel
2-5 Sea water flow	Equipped on panel	Equipped on panel	Equipped on panel
2-6 C.W. level for fresh water tank	Not equipped on panel	Equipped on panel	Equipped on panel
2-7 Boost pressure high	Not equipped on panel	Equipped on panel	Equipped on panel
<b>3-Tachometer with hour meter</b>	Equipped on panel	Equipped on panel	Equipped on panel
<b>4-Sub meter unit</b>	Not equipped on panel		
4-1 L.O. pressure meter	Not equipped on panel	Equipped on panel	Equipped on panel
4-2 C.W. Temperature meter	Not equipped on panel	Equipped on panel	Equipped on panel
4-3 Boost meter [turbo]	Not equipped on panel	Not equipped on panel	Equipped on panel
<b>5 Quartz clock</b>	Not equipped on panel	Not equipped on panel	Equipped on panel

## ACCESORIES

### Standard engine package

- Sensor for instrument panel [New B, C and D-type]
- Exhaust/water mixing elbow [L-type]
- Cooling water hoses
- Fuel water separator [integrated with fuel filter]
- Alternator 12V - 80A

### Optional accesories

- Flexible mounts [2 pcs]
- High-riser mixing elbow [instead of L-elbow]
- Analog instrument panels [New B,C and D-type]
- Dual station Y-harness • Sensor for VDO instrument panels
- Control heads • Extension wire harness [4m, 6m, 10m] • Lub oil evacuation pump
- Air venting device for cooling water tank
- VDO instrumentation for main panel and fly bridge • Dipstick for opposite side

NOTE: All data subject to change without notice. Text and illustrations are not binding.