

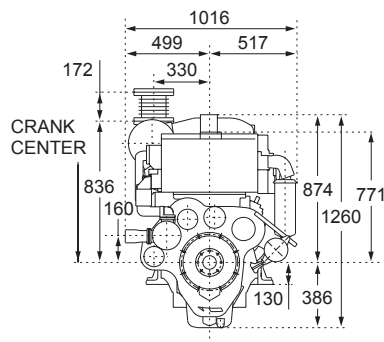
6HA2M-WHT Series

LONG STROKE | IMO Tier II Compliant | Mechanical Engine Control

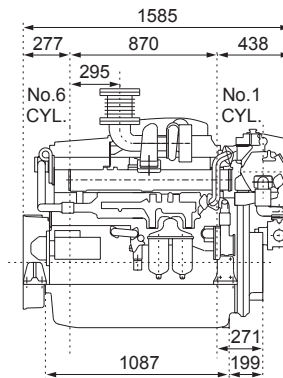
Configuration	4-cycle, Vertical, Turbo-charged with Fresh watercooled intercooler diesel engine	
Maximum output at crankshaft	M: 257 kW@1950 rpm H: 204 kW@1880 rpm	[350 mhp@1950 rpm] [278 mhp@1880 rpm]
Displacement	13.140 ltr	
Bore x stroke	130 mm x 165 mm	
Cylinders	6 in-line	
Combustion system	Direct injection	
Starting system	Electric starting motor [DC 24V]	
Flywheel housing size	SAE #1, 14 inch	
Cooling system	Constant high temperature cooling with Heat exchanger	
Cooling fresh water capacity	66 ltr + 1.5 ltr [reserve tank]	
Lubrication system	Forced lubrication with gear pump	
Lubricating oil capacity	38 ltr	
Lubricating oil grade	SAE30, 40	
Direction of rotation [crankshaft]	Counterclockwise viewed from stern	
Dry weight without gear	1455 kg	
Environmental	IMO Tier II	
Fuel consumption [at rated output]	M: 217 gr/kW hr	H: 217 gr/kW hr

DIMENSIONS [UNIT: MM]

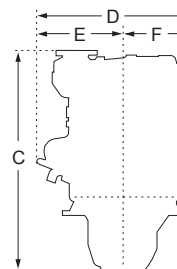
Front view, engine only



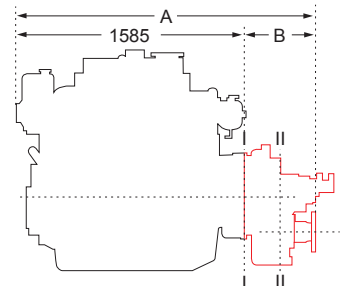
Right side view, engine only



Front view with gearbox YX-120



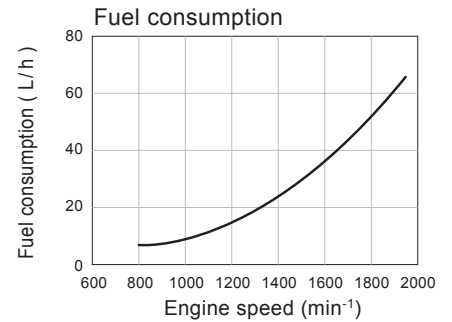
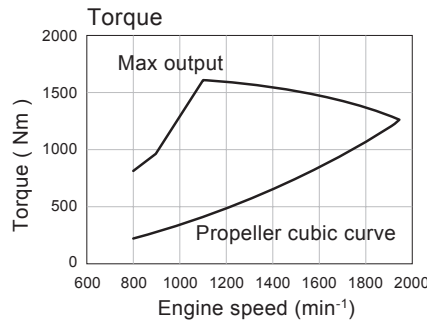
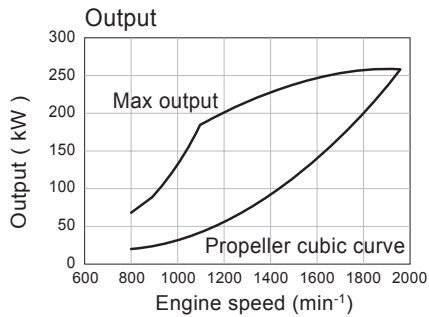
Left side view with gearbox YX-120



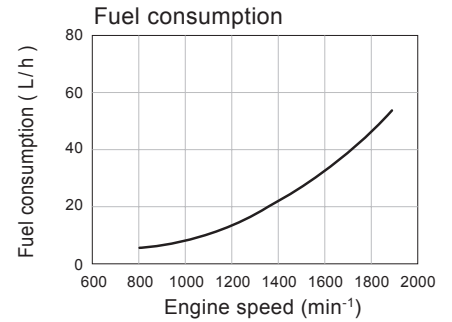
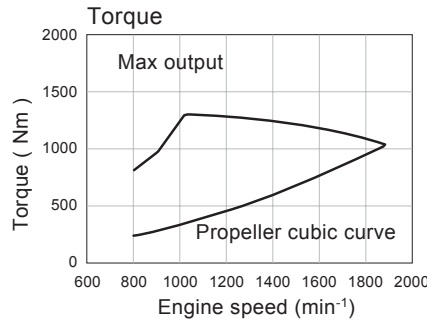
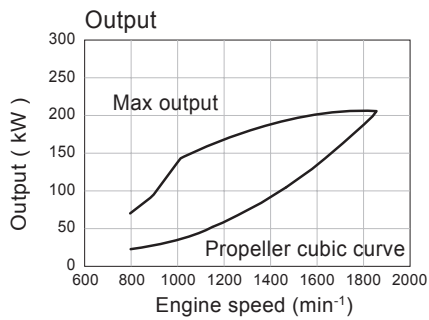
Model	A	B	C	D	E	F
6HA2M-WHT×YX-120	2005	420	1272	1016	499	517
6HA2M-WHT×YX-120L	2039	454	1384	1016	499	517

PERFORMANCE CURVES

M-rating



H-rating

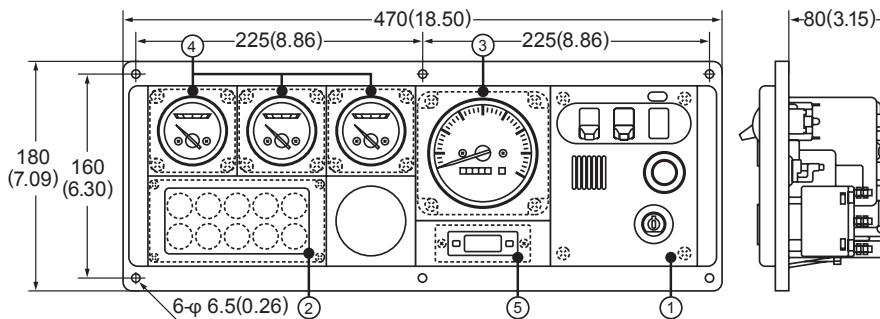


Rating definitions: hp = 0.7355 kW Ratings are based on conditions of 100 kPa, 30% relative humidity at 25°C.
M= For applications where use of rated power is less than 10 hours continuous and operation is less than 3000 hours per year.
H= For applications where use of rated power is less than 24 hours continuous and operation is less than 4000 hours per year.
Fuel rates: Specific gravity 0.835 g/cc, low calorific value 42700 kJ/kg [10200kcal/kg], Cetane No.45.

MARINE GEARS SPECIFICATIONS

Model	YX-120			YX-120L	
Type	Hydraulic multi-disc clutch			Hydraulic multi-disc clutch	
Dry Weight	315 kg			411 kg	
Reduction Ratio [Ahead]	2.03	2.57	3.04	4.00	4.59
Prop. shaft speed [at rated output]	960	758	641	488	425
Direction of rotation [propeller shaft]	Clockwise or counter-clockwise viewed from stern			Clockwise or counter-clockwise viewed from stern	

INSTRUMENT PANEL D-TYPE [UNIT: MM]



1 Switch unit

- Key switch
- Alarm buzzer
- Alarm buzzer stop switch
- Illumination switch

2 Alarm lamp unit with Alarm monitor device

- Battery not charging
- C.W. high temp.
- L.O. low pressure
- Clutch oil pressure
- L.O. filter clogged
- C.W.level

3 Tachometer unit

- Tachometer with hour meter

4 Sub meter unit

- L.O. pressure meter
- C.W. temp. meter
- Boost meter (Turbo)

5 Clock unit

- Clock

NOTE: All data subject to change without notice. Text and illustrations are not binding.