

| | | | |
|------------------------------------|--|---------------------|-----|
| Configuration | 4-stroke, vertical, water-cooled diesel engine | | |
| Maximum output at crankshaft | * 10.0 kW@3600 rpm | [13.6 mhp@3600 rpm] | |
| Displacement | 0.570 ltr | [34.7 cu in] | |
| Bore x stroke | 70 mm x 74 mm | [2.75 in x 2.91 in] | |
| Cylinders | 2 | | |
| Combustion system | Indirect injection | | |
| Aspiration | Naturel aspiration | | |
| Starting system | Electric starting 12V - 1.4 kW | | |
| Alternator | 12V - 125A | | |
| Cooling system | Fresh water cooling with heat exchanger | | |
| Lubrication system | Enclosed, forced lubricating system | | |
| Direction of rotation [crankshaft] | Counterclockwise viewed from flywheel side | | |
| Dry weight without gear | 103 kg | [227 lbs] | |
| Environmental | EU: RCD | BSO II | EMC |
| | US: EPA Tier3 | | |
| Engine mounting | Rubber type flexible mounting | | |

NOTE:

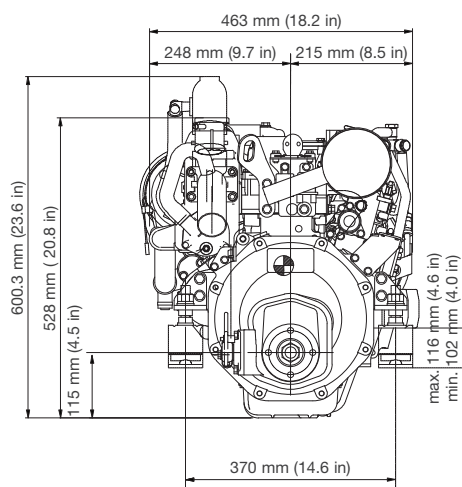
Fuel condition: Density at 15°C = 0.84 g/cm³; 1 kW = 1.3596 mhp = 1.3410 HP

* Fuel temperature 40°C at the inlet of the fuel injection pump [ISO 8665: 2006]

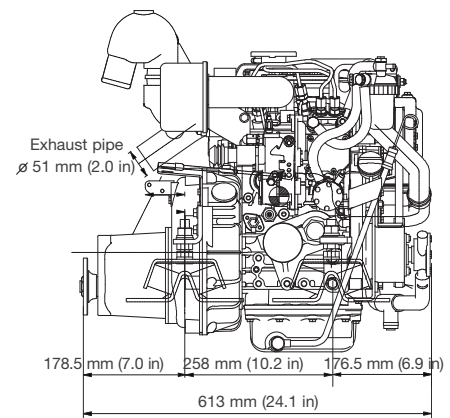
Technical data is according to ISO 8665: 2006/3046-1

DIMENSIONS

Rear view

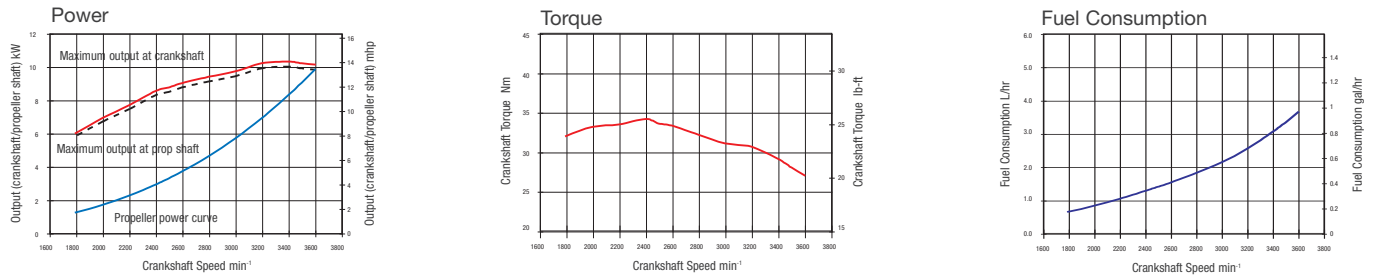


Right side view



2YM15 with KM2P-1 marine gear

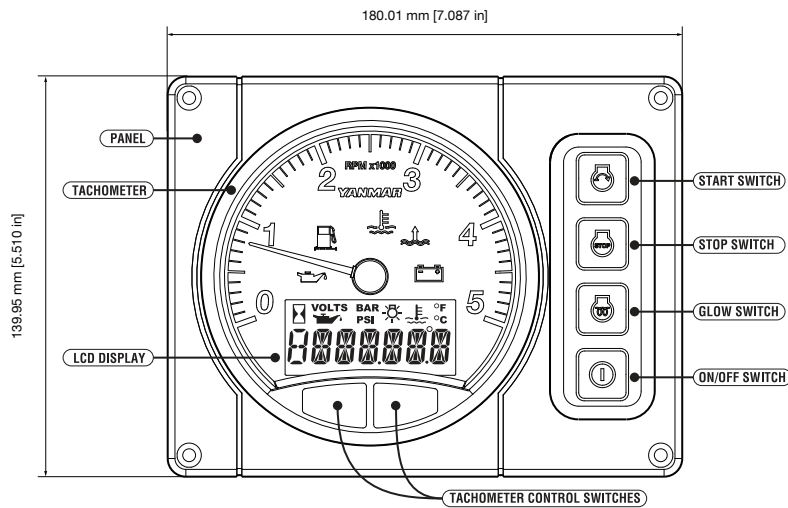
PERFORMANCE CURVES



MARINE GEARS / DRIVE

| Model | KM2P-1 | | | Saildrive [SD20] |
|----------------------------------|---|-----------|-----------|------------------------------------|
| Type | Constant mesh gear with servo-cone clutch | | | Constant mesh gear with dog clutch |
| Dry weight | 10 kg [22 lbs] | | | 30 kg [66 lbs] |
| Reduction ratio [fwd/asn] | 2.21/3.06 | 2.62/3.06 | 3.22/3.06 | 2.64/2.64 |
| Propeller speed [fwd/asn] | 1629/1176 | 1374/1176 | 1118/1176 | 1363/1363 |
| Direction of rotation | Clockwise | | | Counterclockwise |
| [propeller shaft - fwd] | viewed from flywheel side | | | viewed from flywheel side |
| Dry weight engine and gear/drive | 113 kg [249 lbs] | | | 134 kg [295 lbs] |
| Length engine and gear/drive | 613 mm [24 in] | | | 793 mm [31 in] |

INSTRUMENT PANELS



B20 STANDARD

ACCESORIES

Standard engine package

- Set of flexible mounts
- Exhaust mixing elbow [L-type]
- V-belt safety cover
- Expansion tank for fresh water cooling system
- Alternator 12V - 125A
- Electric stop solenoid
- Operation manual
- B20-panel
- Sensor for instrument panel

Optional accessories

- Extension wire harness [4m, 6m, 10m]
- High-riser mixing elbow [instead of L-elbow]
- Hot water kit with cocks
- Second station harness
- Propeller cone nut kit SD20

NOTE: All data subject to change without notice. Text and illustrations are not binding.